

# ***ASTECC*** **T560**

**Hydrostatic Drive  
Chain Trencher**



- **185 hp (138 kW) powertrain**
- **Compact size**
- **Rugged construction**
- **Optional Rock Saw available!**

• **Field-Proven Hydrostatic Trencher Drive**

• **Operator-friendly controls for easy operation**

• **Infinitely variable trenching speeds for varying ground conditions**

• **30" (762 mm) Tailwheel provides smooth chain operation**

• **Machine leveling capability for trenching on sloped surfaces**

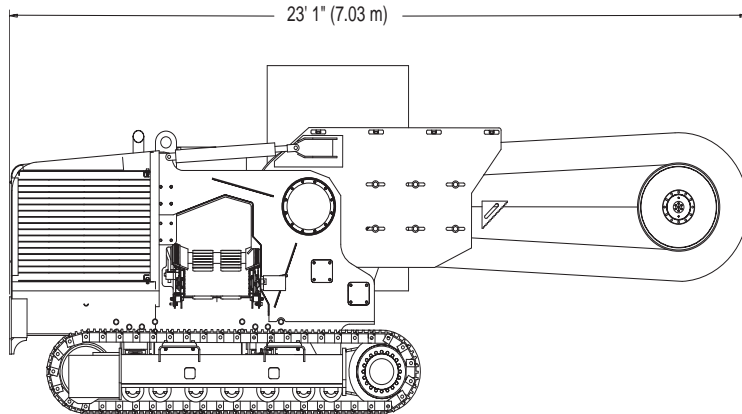
• **Low profile digging chains for optimum tooth penetration**

• **Easy access to routine service points**

• **Reversible conveyor for precise spoil placement**

# Astec T560 Specifications

## Weights & Dimensions



### Transport Mode:

- Transport Height: 120" (3.05 m)
- Transport Width: 100" (2.54 m)
- Ground Clearance: 12" (305 mm)
- Approximate Shipping Weight: 26,000 - 34,000 lbs (11,793 - 15,422 kg)

## Engine

- Type: Cummins C8.3 Turbocharged, after-cooled diesel
- Horsepower: 185hp (138 kW) @ 2200 RPM
- Torque: 631 ft-lbs (836 N\*m) @ 1500 RPM
- Cooling System: AKG Cooling Package rated for continuous operation @ 120° F (49° C)

## Fuel Capacity

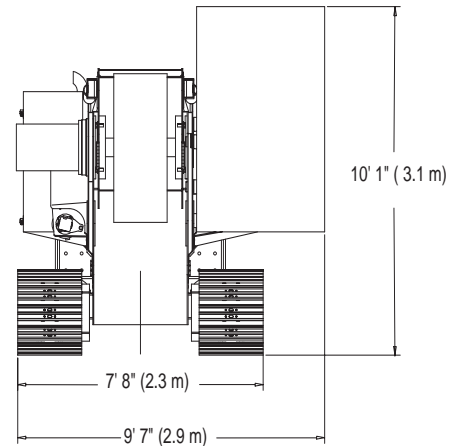
- 100 Gallon (378 L)
- 10 hrs capacity
- Single filter w/ water separation
- Cab mounted fuel gauge
- Approximately 9.5 gallon (36 L) per hour consumption

## Hydraulic System

- Durst Pump drive
- Dual Hydrostatic Track pumps
- Rated @ 5000 psi ( 34474 kPa)
- 33 gpm (125 l/min) max flow
- Auxiliary Pump rated at 3000 psi (20684 kPa)
- Pressure and flow compensating
- 27 gpm (102 l/min) max flow
- Variable displacement Trencher drive pump
- 79 gpm (299 l/min) max flow
- 57 Gallon (215L) Hydraulic Reservoir capacity

## Track Drive

- Berco (FL6) tracks, rollers and tensioner
- Closed loop Hydraulic drive motor w/ planetary final drive gearboxes
- Variable displacement pumps
- 2 speed motors
- Length: 111" (2.8 m) Centerline to Centerline
- 18", 20" or 24" ( 457, 508, 610 mm) wide track pads available
- Single, double or triple grousers available
- Spring applied, hydraulic release parking brakes
- Low Ground Pressure--5.3psi (36.5kPa) [w/6ft. (1.8m)boom, Enclosed Cab, 24" (610 mm) Track Pads]



## Speed / Gradeability

- Transport: Infinitely variable from 0 - 1.9 mph (3.2 kph)
- Work: Infinitely variable from 0 - .8mph (1.3 kph)
- Gradeability: 50%
- Maximum Cross Slope 18% (±12°)

## Trencher

- Hydrostatic drive thru planetary gearbox
- Boom Travel
  - Up 10°
  - Down 58°
- End Idler 30" (762 mm) diameter w/ forged O.D. to limit wear
- Chain Speed
- Dirt/soft rock: 0 - 740 fpm (226 m/s)
- Hard rock: 0 - 420 fpm (128 m/s)
- Trench Depth: 4' - 8' (1.2 - 2.4 M)
- Trench Width: 10" - 24" (25 - 610 mm)
- Single or dual drive sprockets (Bolt-on, split sprockets for serviceability)

## Spoil Conveyor

- Belt Speed: 0 - 1000 fpm (305 m/s) - left or right
- Belt Width: 24" ( 610 mm)
- Discharge Height: 51" - 55" (1295 - 1397 mm)
- Shift Travel: 31.5" (800 mm)

## Options

- Truck Loading Conveyor
- Automatic depth control via laser interface
- Rigid Tracks
- Enclosed operators station - Pressurized, A/C and heat
- Rock Saw Attachment available

# ASTEC

Copyright © 2004 Astec Underground Form no. AT-124-1004 (WC.5M) 10-04

Due to our continuing product improvement, specifications are subject to change without notice.  
Headquarters: Astec Underground • 9600 Corporate Park Drive • Loudon, Tennessee 37774 USA  
USA Toll Free: 800-527-6020 • Tel: 865-408-2100 • Fax: 865-458-8575  
[www.astecunderground.com](http://www.astecunderground.com)

